

New Ergowedge

Reversible Ergowedge for Vision Engineering stereo microscopes*



Designed for Vision Engineering stereo microscopes*, the reversible Ergowedge allows head tilt ability of -5° to -25° , or $+5^{\circ}$ to $+25^{\circ}$ (when reversed), optimising ergonomic comfort for all applications.

- ✓ Downwards tilt -5° to -25° , ideal for tall samples
- ✓ Backwards tilt $+5^{\circ}$ to $+25^{\circ}$, ideal for use in a standing position

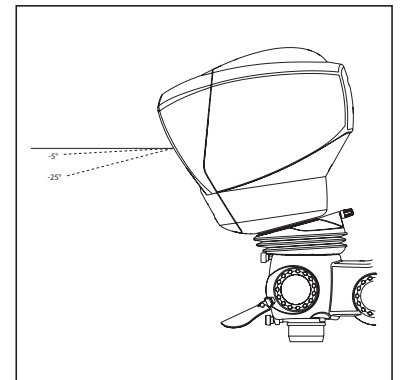
* New Ergowedge is compatible with: **Lynx**, **Alpha**, **Beta**, **Cobra** and **Ergo80** stereo microscopes.

Ordering details

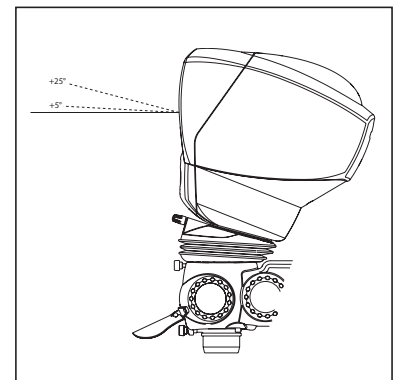
| Part Number | Description |
|-------------|---|
| L-100 | Next generation ergowedge - reversible. |



Ergowedge, to tilt head downwards (-5° to -25°).



Ergowedge, to tilt head backwards when reversed ($+5^{\circ}$ to $+25^{\circ}$).



For more information...

Vision Engineering has a network of offices and technical distributors around the world. For more information, please contact your Vision Engineering branch, local authorised distributor, or visit our website.

Distributor

Vision Engineering Ltd.
(Manufacturing)
Send Road, Send,
Woking, Surrey, GU23 7ER, England
Tel: +44 (0) 1483 248300
Email: generalinfo@visioneng.com

Vision Engineering Ltd.
(Commercial)
Monument House, Monument Way West,
Woking, Surrey, GU21 5EN, England
Tel: +44 (0) 1483 248300
Email: generalinfo@visioneng.com

Vision Engineering Inc.
(Manufacturing & Commercial)
570 Danbury Road, New Milford,
CT 06776 USA
Tel: +1 (860) 355 3776
Email: info@visioneng.com

Vision Engineering Inc.
(West Coast Commercial)
745 West Taft Avenue, Orange,
CA 92865 USA
Tel: +1 (714) 974 6966
Email: info@visioneng.com

Vision Engineering Ltd.
(Central Europe)
Anton-Pendele-Str. 3,
82275 Emmering, Deutschland
Tel: +49 (0) 8141 40167-0
Email: info@visioneng.de

Vision Engineering Ltd.
(France)
ZAC de la Tremblaille, Av. de la Tremblaille
91220 Le Plessis Paté, France
Tel: +33 (0) 160 76 60 00
Email: info@visioneng.fr

Vision Engineering Ltd.
(Italia)
Via Cesare Cantù, 9
20092 Cinisello Balsamo MI, Italia
Tel: +39 02 6129 3518
Email: info@visioneng.it

Vision Engineering
(Brasil)
Tel: +55 11 4063 2206
Email: info@visioneng.com.br

Nippon Vision Engineering
(Japan)
272-2 Saedo-cho, Tsuduki-ku,
Yokohama-shi, 224-0054, Japan
Tel: +81 (0) 45 935 1117
Email: info@visioneng.jp

Vision Engineering Ltd
(China)
11J, International Ocean Building,
720 Pudong Avenue, Shanghai,
200120, P.R. China
Tel: +86 (0) 21 5036 7556
Email: info@visioneng.com.cn

Vision Engineering
(S.E. Asia)
Tel: +603 80700908
Email: info@visioneng.asia

Vision Engineering
(India)
Email: info@visioneng.co.in

Visit our multi-lingual website:

www.visioneng.com